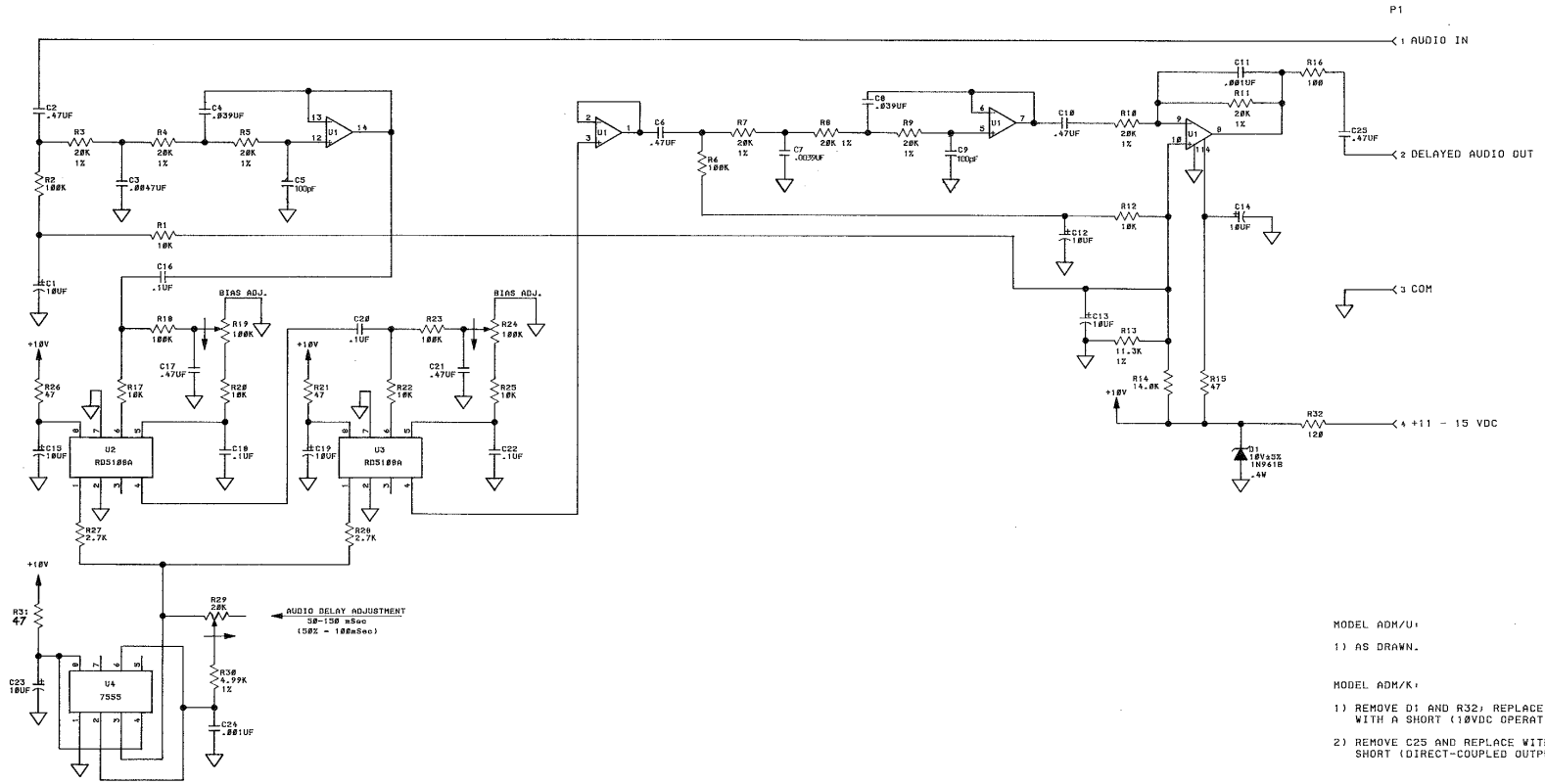


This schematic is here courtesy of Scm Industries



- MODEL ADH/U:
1) AS DRAWN.
- MODEL ADH/K:
1) REMOVE D1 AND R32; REPLACE R32 WITH A SHORT (10VDC OPERATION).
2) REMOVE C25 AND REPLACE WITH A SHORT (DIRECT-COUPLED OUTPUT).

ALL RESISTORS ARE IN OHMS UNLESS OTHERWISE SPECIFIED

DESIGN BY	S-COM INDUSTRIES
DRAFTING NO.	
AUTHOR	NAME
DESIGN	AUDIO DELAY MODULE
DESIGNER	DRAWING NO.
FORM NONE	DATE
REV. NO.	REV. NO. 1 OF 1